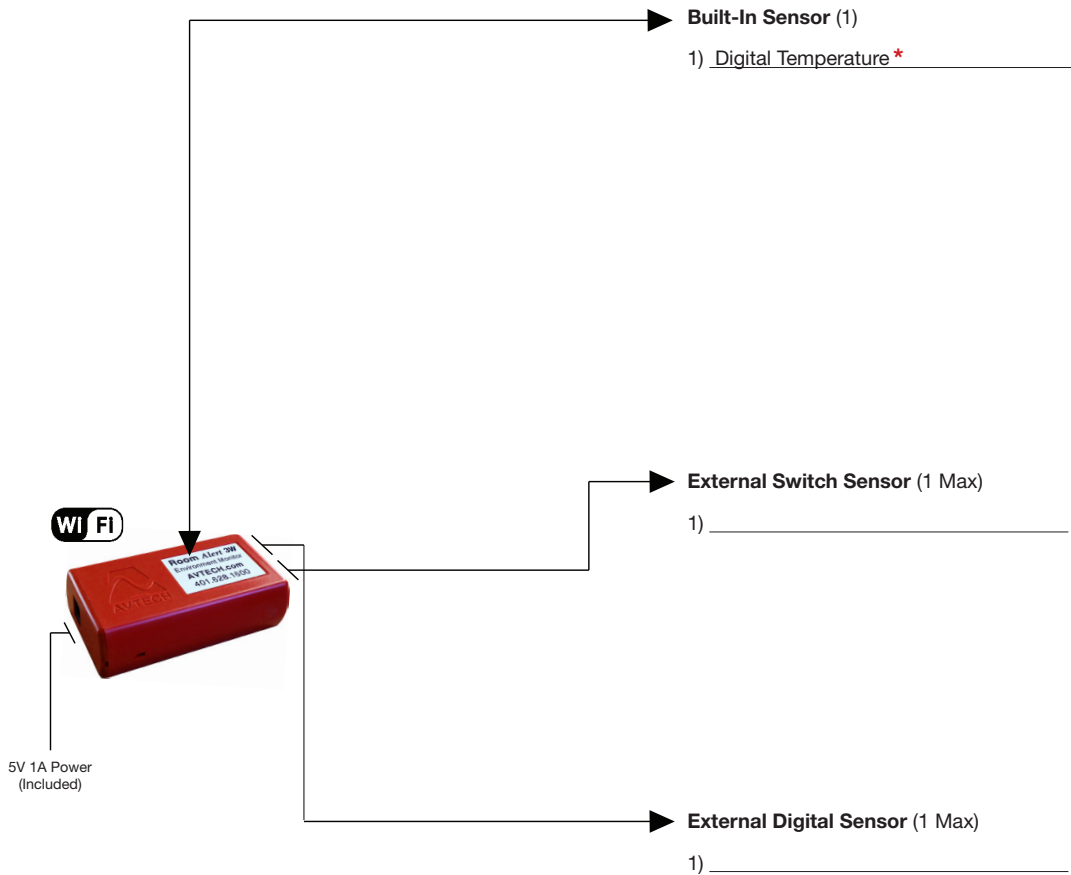


AVTECH Room Alert[®] 3 Wi-Fi Planning Worksheet

Print and use this form to plan the sensor build-out for your Room Alert installation. See page 2 for compatible options to write in below. Once your build-out is complete, call your favorite Reseller for a quote or to order.



Note: The total sensor capacity of the Room Alert 3 Wi-Fi is 3+ sensors.

* - Included in base package for monitor.

External Sensor Options:

AVT-150119.01

Digital Sensor Options: (13)

- | | |
|---|--|
| Digital Temperature Sensor (25' Cable) – TMP-SDT-SEN | Digital Outdoor Temperature Sensor (25' Cable) – TMP-DOT-SEN |
| Digital Temperature Sensor (50' Cable) – TMP-DT50-SEN | Digital Outdoor Temperature Sensor (50' Cable) – TMP-DOT50-SEN |
| Digital Temperature Sensor (100' Cable) – TMP-DT100-SEN | Digital Outdoor Temperature Sensor (100' Cable) – TMP-DOT100-SEN |
| Digital Temperature & Humidity Sensor (25' Cable) – RMA-DTH-SEN | Digital Fluid Temperature Sensor (25' Cable) – TMP-DFT-SEN |
| Digital Temperature & Humidity Sensor (50' Cable) – RMA-DTH50-SEN | Digital Fluid Temperature Sensor (50' Cable) – TMP-DFT50-SEN |
| Digital Temperature & Humidity Sensor (100' Cable) – RMA-DTH100-SEN | Digital Fluid Temperature Sensor (100' Cable) – TMP-DFT100-SEN |
| Digital Temperature & Analog Sensor (25' Cable) – RMA-DTA-SEN | |

Switch Sensor Options: (18)

- | | |
|--|--|
| Mini UPS & Power Sensor (15-20 minutes) – RMA-MUPS-SEN | Room Entry Sensor – RMA-RE1-SEN |
| Power Sensor (100-240V) – RMA-PS1-SEN | Flood Sensor (Spot) – RMA-FS2-SEN |
| Sound, Light & Entry Sensor – RMA-SLE-SEN | Flood Sensor w/8' Flood Cable – RMA-F008-SEN |
| Motion Sensor – RMA-MOT2-SEN | Flood Sensor w/24' Flood Cable – RMA-F024-SEN |
| Smoke Sensor w/Escape Light – RMA-SS1-SEN | 8' Flood Cable Extension – RMA-00BCE-SEN |
| Panic Button 1 (Large Palm Size) – RMA-PB1-SEN | Water Tank Level Sensor (NC, Recommended) – RMA-WTL1-SEN |
| Panic Button 2 (Medium Size) – RMA-PB2-SEN | Water Tank Level Sensor (NO) – RMA-WTL2-SEN |
| Air Flow 1 Sensor (NC, Recommended) – RMA-AF1-SEN | Fuel Tank Level Sensor (NC, Recommended) – RMA-FTL1-SEN |
| Air Flow 2 Sensor (NO) – RMA-AF2-SEN | Fuel Tank Level Sensor (NO) – RMA-FTL2-SEN |

Ordering Instructions: Print and use this form to plan the sensor build-out for your Room Alert installation. Use the open fields on page 1 to enter desired sensors using the options above. When you have the desired configuration, use this document to determine the quantity of items that you desire in a quote for purchase. Then, call your Reseller and ask for a quote. If email is preferred, scan page 1 and email it with your contact information and request a quote. If you are not working with a Reseller or Product Specialist at this time, please email your request to Sales@AVTECH.com. Thank you.

Notes: _____
